

# LED Commercial Downlight



<b>RGD-CDR/HO</b>	<b>Segment</b>	<b>Wattage Range</b>	<b>Lumen Range</b>
	Commercial	42-6W	4,200-600lm

## Features

- 4" 6" 8" 10" Size are available
- Deep regress housing delivery low glare light output
- Beam Angle<80D, CRI 90+
- 4 Level Power selectable, 5CCT selectable (27-30-35-40-50K)
- High Lumen efficiency up to 120lm/W
- Dual TRIAC (120V) and 0-10V dimming
- ETL, FCC, Energy Star listed

## Specifications

### Housing:

Aluminum die casted unibody housing for better heat dissipation.  
Type IC rated (except 10")

### Optics:

UV Resistant PC Lens, for even and glare free distribution.

### Mounting:

Recesses Mounting with installed spring clamps.

### Driver:

120-347V LED Auto-Sensing driver with Operating temperature range of -20 °C ~ +40 °C.

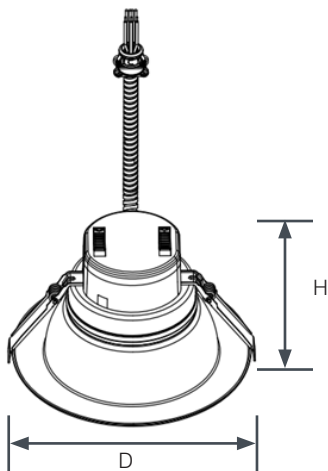
### LED:

Field Selectable CCT of 2700K, 3000K, 3500K, 4000K & 5000K.  
Efficacy: 100-120 lm/w

### Controls:

Compatible with TRIAC (120V) and 0-10V dimming systems.

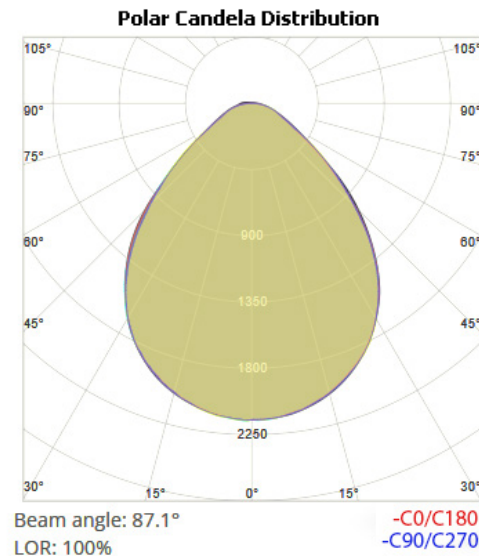
## Dimensional Drawing



	Cut-out	D	H
RGD-CDR/HO/4	4"	5.83"	4.09"
RGD-CDR/HO/6	6"	8.19"	4.88"
RGD-CDR/HO/8	8"	10.16"	5.91"
RGD-CDR/HO/10	9.5"	11.18"	6.36"



## Polar Candela



## Applications



Residences



Offices



Hotels



Retail

# LED Commercial Downlight



<b>RGD-CDR/HO</b>	<b>Segment</b>	<b>Wattage Range</b>	<b>Lumen Range</b>
	Commercial	42-6W	4,200-600lm

## Ordering Information Example: RGD-CDR/HO/4/MW/MK9/120-347V/WH/D

Family Name	Fixture Type	Size	Wattage	CCT	Voltage	Finish Color	Dimmable
RGD (Rigid)	CDR/HO (Commercial downlight, High lumen output)	4 (4") 6 (6") 8 (8") 10 (10")	MW (Selectable Wattage)	MK9 (Selectable Kelvin, CRI 90)	120-347V	WH (White)	D (Dual TRIAC (120V) and 0-10V dimming)

## Product Specification

Ordering Code	Energy Star	Model Number	Wattage (W)	Input Voltage (V)	Hour Rating	CCT (K)	Beam Angle	CRI	Damp Location	M.O.D (inch)	M.O.H (inch)	Case QTY.		
3682285	Yes	RGD-CDR/HO/4/MW/MK9/120-347V/WH/D	13-10-8-6	120-347V	50,000	27-30-35-40-50	80°	≥90	Yes	5.83"	4.09"	6		
3682286	Yes	RGD-CDR/HO/6/MW/MK9/120-347V/WH/D	23-18-15-13	120-347V	50,000	27-30-35-40-50	80°	≥90	Yes	8.19"	4.88"	6		
3682287	Yes	RGD-CDR/HO/8/MW/MK9/120-347V/WH/D	34-30-27-24	120-347V	50,000	27-30-35-40-50	80°	≥90	Yes	10.16"	5.91"	6		
3682288	Yes	RGD-CDR/HO/10/MW/MK9/120-347V/WH/D	42-38-35-30	120-347V	50,000	27-30-35-40-50	80°	≥90	Yes	11.18"	6.36"	6		
3660430	-	RGD-CDR/HO/4/Trim/BK	4" Trim and Flange Insert									6"	1.38"	-
3660431	-	RGD-CDR/HO/6/Trim/BK	6" Trim and Flange Insert									8.5"	2"	-
3660432	-	RGD-CDR/HO/8/Trim/BK	8" Trim and Flange Insert									10.5"	2.56"	-
3660433	-	RGD-CDR/HO/10/Trim/BK	10" Trim and Flange Insert									11.56"	3"	-



## Lumens (lm)

CCT	RGD-CDR/HO/4/MW/MK9/120-347V/WH/D				RGD-CDR/HO/6/MW/MK9/120-347V/WH/D				RGD-CDR/HO/8/MW/MK9/120-347V/WH/D				RGD-CDR/HO/10/MW/MK9/120-347V/WH/D			
	6W	8W	10W	13W	13W	15W	18W	23W	24W	27W	30W	34W	30W	35W	38W	42W
2700K	683	916	1105	1320	1408	1639	1872	2375	2479	2790	3059	3475	3203	3682	3955	4205
3000K	665	906	1095	1360	1410	1647	1894	2359	2536	2836	3072	3470	3224	3768	3994	4303
3500K	676	916	1116	1386	1421	1662	1918	2387	2551	2901	3152	3525	3306	3742	4047	4400
4000K	681	926	1126	1404	1424	1656	1916	2390	2574	2855	3127	3512	3290	3737	4045	4392
5000K	715	956	1159	1424	1424	1641	1881	2325	2521	2805	3055	3408	3214	3675	3924	4233

## Lumen efficiency (lm/W)

CCT	RGD-CDR/HO/4/MW/MK9/120-347V/WH/D				RGD-CDR/HO/6/MW/MK9/120-347V/WH/D				RGD-CDR/HO/8/MW/MK9/120-347V/WH/D				RGD-CDR/HO/10/MW/MK9/120-347V/WH/D			
	6W	8W	10W	13W	13W	15W	18W	23W	24W	27W	30W	34W	30W	35W	38W	42W
2700K	114	115	111	102	108	109	104	103	103	103	102	102	107	105	104	100
3000K	111	113	110	105	108	110	105	103	106	105	102	102	107	108	105	102
3500K	113	115	112	107	109	111	107	104	106	107	105	104	110	107	107	105
4000K	114	116	113	108	110	110	106	104	107	106	104	103	110	107	106	105
5000K	119	120	116	110	110	109	105	101	105	104	102	100	107	105	103	101