

Stonco Keene LytePro LED large wall sconce LPW32 features outstanding value in a compact, architectural design. This powerful and precise combination offers outstanding energy savings with excellent photometric performance. LPW32 is ideal for building perimeters and corridors in addition to wall lighting applications requiring strong lateral spacing and forward pattern projection. LPW32 provides up to 13,500 lumens to accommodate multiple mounting heights, and is available with Type 2, 3, 4 optics. A full range of control options is available for additional energy savings. Optional emergency battery backup option is available for path of egress and is integral to the luminaire.

Project: _____
 Location: _____
 Cat.No: _____
 Type: _____
 Lamps: _____ Qty: _____
 Notes: _____

Ordering guide

Example: LPW32-12L-740-3-UNV-BZ

Prefix	Lumen Package	CRI/CCT	Optics	Voltage
LPW32				
LPW32 LytePro 32 LED wall sconce	1 Board 2 Boards 2L 2,500lm 8L 8,000lm 4L 4,500lm 10L 10,000lm 6L 6,000lm 12L 12,500lm	730 70CRI, 3000K 740 70CRI, 4000K 722 70CRI, 2200K (ETOr) 727 70CRI, 2700K (ETOr) 750 70CRI, 5000K (ETOr)	2 Type 2 3 Type 3 4 Type 4 BLC Back Light Control (includes HIS) (ETOr)	120 120V UNV 120-277V 208 208V 347 347V 240 240V 480 480V 277 277V HVU 347-480V

Dimming Controls	Lighting Controls	Emergency Options	Location	Finish
The following includes 0-10V driver (only one may be selected) - None DLEA Diming Leads Externally Accessible FAWS Field Adjustable Wattage Selector BL50L3 Bi-level dimming with L3 PIR Lens The following includes D4i driver² (only one may be selected) - None CM50¹ Median 50 % dimming, 8 hours ZD4I SR driver connected to Zhaga socket D4i WIAPLW Wireless Interact outdoor low mounting (7-15'), white housing WIAPLB Wireless Interact outdoor low mounting (7-15'), black housing	- None PCB³ Photocontrol Button	- None EBP⁴ Emergency Battery Pack BR⁵ UL924 use with BL50 or WIAP	- None BAC⁶ Meets the requirements of the Buy American Act of 1933 (BAA) BABAF⁶ Meets the requirements of the Build America Buy America Act for projects funded through FHWA that are obligated before October 1, 2026, and meets the Buy America preferences for FTA	BK Black WH White BZ Bronze DGY Dark Gray MGY Medium Gray Customer specified RAL⁷ Specify optional color or RAL (ex: OC-LGP or OC-RAL7024) CC⁷ Custom color (Must supply color chip for required factory quote)

- Other profile dimmings available upon request.
- D4iD 347V, 480V or HVU **only available** with 2 board version (8L, 10L, 12L) and **NOT available** with the 1 board version (2L, 4L, 6L).
- Must specify voltage for PCB option.
- Emergency battery backup (EBP) **only available** in 2L, 4L, 6L or 8L, and in 120V, 208V, 240V, 277V or UNV. **NOT available** with FAWS, BL50L3 or PCB.
- BR to be used with BL50L3 or WIAP.
- Failure to properly select the "BAC" suffix could result in you receiving product that is not BAA compliant product with no recourse for an RMA or refund. This BAC designation hereunder does not address (i) the applicability of, or availability of a waiver under, the Trade Agreements Act, or (ii) the "Buy America" domestic content requirements imposed on states, localities, and other non-federal entities as a condition of receiving funds administered by the Department of Transportation or other federal agencies. Genlyte's products with a BAC option code designation are manufactured in the US and utilize a BAA COTS exemption rule for compliance. "BABAF" designates the product will meet the standards set by FHWA for BABA and FTA for Buy America. As noted, for FHWA BABA compliance, applicable projects must be funded by October 1, 2026.
- Other colors available upon request as made-to-order.

LPW32 LytePro Wall

Large wall mount

Stocked luminaires ordering guide

Catalog Number	Description	12NC
LPW32-6L-740-3-UNV-FAWS-BZ	LytePro Wall 32, 6000lm, 4000K, Type 3, 120-277V, Field Adjustable Wattage Selector, Bronze Finish	912300006484
LPW32-6L-740-3-UNV-FAWS-DGY	LytePro Wall 32, 6000lm, 4000K, Type 3, 120-277V, Field Adjustable Wattage Selector, Dark Gray Finish	912300006485
LPW32-12L-740-3-UNV-FAWS-BZ	LytePro Wall 32, 12500lm, 4000K, Type 3, 120-277V, Field Adjustable Wattage Selector, Bronze Finish	912300006486
LPW32-12L-740-3-UNV-FAWS-DGY	LytePro Wall 32, 12500lm, 4000K, Type 3, 120-277V, Field Adjustable Wattage Selector, Dark Gray Finish	912300006487

Stocked accessories ordering guide (must be ordered separately)

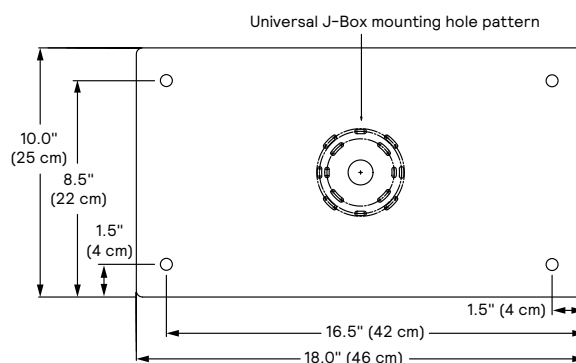
Catalog Number	Description	UPC Code
LPWCVRPLT-BZ*	LPW Universal wall cover mounting plate, Bronze textured paint	190096144860

*Other colors available upon request as made-to-order.

Accessories

HIS-16-H	Internal House Side Shield for 16 LEDs for Type 2, 3, and 4 (1 board)
HIS-32-H	Internal House Side Shield for 32 LEDs for Type 2, 3, and 4 (2 board)
LPWCVRPLT-BZ*	Universal wall cover mounting plate, 0.08" aluminum, bronze textured paint (used to cover larger pre-existing opening or surfaces, field installed). Offers same J-Box pattern as luminaire or may lagged to wall using (4) knockouts.

*Other colors available upon request as made-to-order. Consult Signify to confirm whether specific accessories are BAA-compliant.



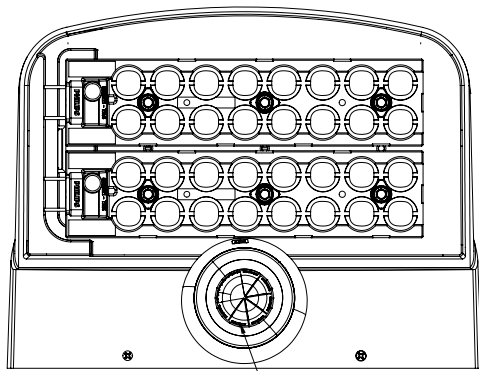
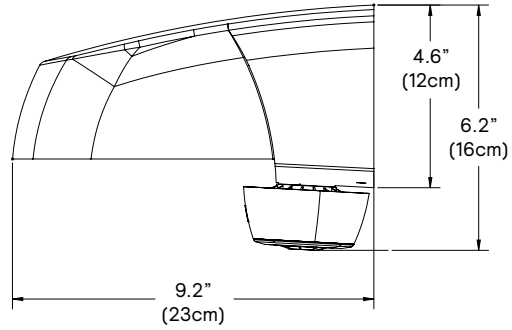
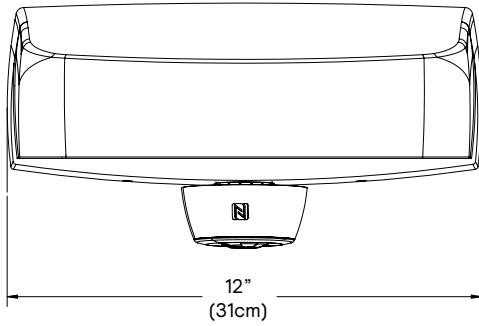
LPW32 LytePro Wall

Large wall mount

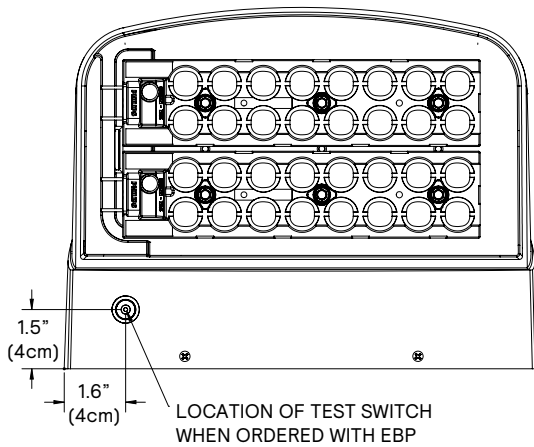
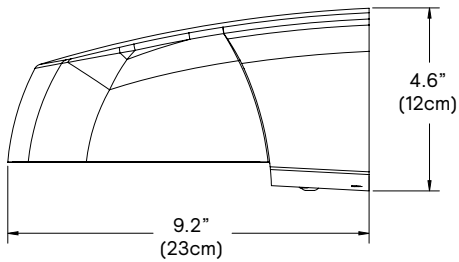
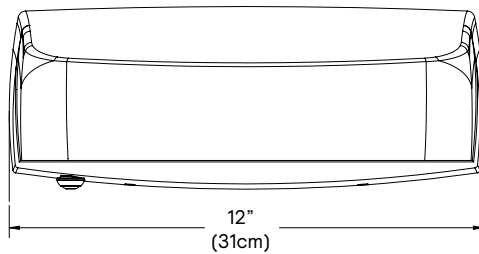
Dimensions

Luminaire weight: 9lbs (4 kg)

Luminaire with EBP: 11lbs (5 kg)



LOCATION OF WIAP



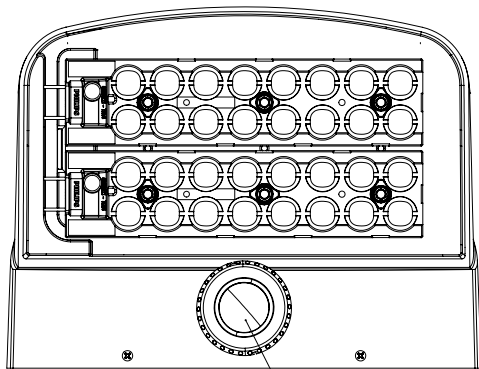
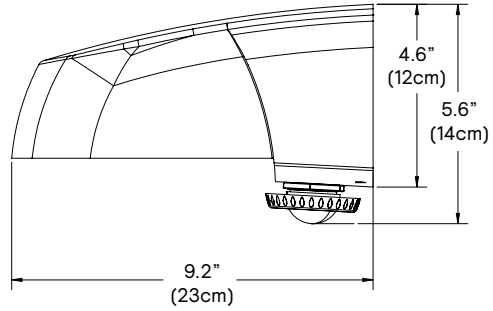
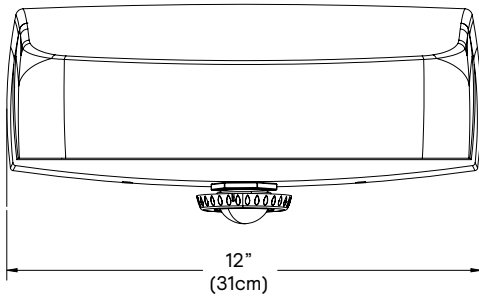
LPW32 LytePro Wall

Large wall mount

Dimensions

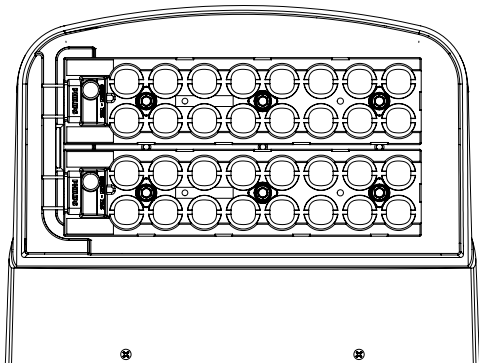
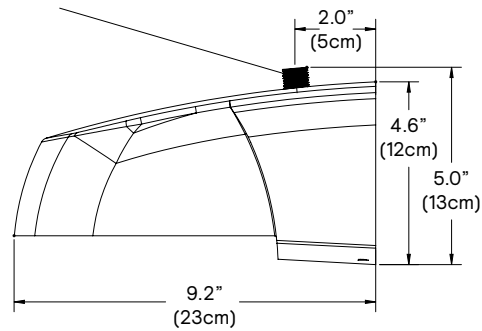
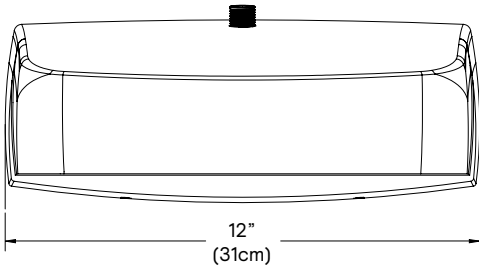
Luminaire weight: 9lbs (4 kg)

Luminaire with EBP: 11lbs (5 kg)



LOCATION OF
PIR SENSOR

LOCATION OF
PHOTOCONTROL
BUTTON



LPW32 LytePro Wall

Large wall mount

LED Wattage and Lumen Values

Ordering Code	LED qty.	Avg. System Watts	Type 2			Type 3			Type 4			BLC		
			Lumen Output	Efficacy (LPW)	BUG Rating	Lumen Output	Efficacy (LPW)	BUG Rating	Lumen Output	Efficacy (LPW)	BUG Rating	Lumen Output	Efficacy (LPW)	BUG Rating
3000K CCT														
LPW-32-2L-730-x	16	19	3055	162	B1-U0-G0	2878	152	B1-U0-G1	2921	155	B1-U0-G1	2033	108	B0-U0-G1
LPW-32-4L-730-x	16	33	4942	149	B1-U0-G1	4656	141	B1-U0-G1	4726	143	B1-U0-G1	3289	99	B0-U0-G1
LPW-32-6L-730-x	16	49	6841	140	B2-U0-G1	6445	132	B1-U0-G2	6542	134	B1-U0-G2	4553	93	B0-U0-G1
LPW-32-8L-730-x	32	53	8072	153	B2-U0-G1	7605	145	B1-U0-G2	7719	147	B2-U0-G2	5372	102	B0-U0-G2
LPW-32-10L-730-x	32	69	10260	149	B3-U0-G2	9666	140	B2-U0-G2	9811	143	B2-U0-G2	6828	99	B0-U0-G2
LPW-32-12L-730-x	32	91	12886	141	B3-U0-G2	12140	133	B2-U0-G2	12322	135	B2-U0-G2	8576	94	B1-U0-G2
4000K CCT														
LPW-32-2L-740-x	16	19	3269	173	B1-U0-G0	3079	163	B1-U0-G1	3125	165	B1-U0-G1	2175	115	B0-U0-G1
LPW-32-4L-740-x	16	33	5288	160	B2-U0-G1	4982	151	B1-U0-G1	5057	153	B1-U0-G2	3520	106	B0-U0-G1
LPW-32-6L-740-x	16	49	7320	149	B2-U0-G1	6897	141	B1-U0-G2	7000	143	B1-U0-G2	4872	99	B0-U0-G2
LPW-32-8L-740-x	32	53	8637	164	B2-U0-G1	8137	155	B1-U0-G2	8259	157	B2-U0-G2	5749	109	B0-U0-G2
LPW-32-10L-740-x	32	69	10978	160	B3-U0-G2	10343	150	B2-U0-G2	10498	153	B2-U0-G2	7306	106	B0-U0-G2
LPW-32-12L-740-x	32	92	13788	151	B3-U0-G2	12990	142	B2-U0-G2	13185	144	B2-U0-G2	9176	100	B1-U0-G2

LED Wattage and Lumen Values - Emergency mode

Ordering Code	LED qty.	Avg. System Watts	Type 2		Type 3		Type 4		BLC	
			Lumen Output	BUG Rating	Lumen Output	BUG Rating	Lumen Output	BUG Rating	Lumen Output	BUG Rating
3000K CCT										
LPW-32-730-x-EBP	16/32	10	1899	B1-U0-G0	1789	B0-U0-G1	1816	B1-U0-G1	1264	B0-U0-G0
4000K CCT										
LPW-32-740-x-EBP	16/32	10	2032	B1-U0-G0	1914	B0-U0-G1	1943	B1-U0-G1	1352	B0-U0-G0

Values from photometric tests performed in accordance with IESNA LM-79 and are representative of the configurations shown. Actual performance may vary due to installation and environmental variables, LED and driver tolerances, and field measurement considerations. It is highly recommended to confirm performance with a photometric layout.

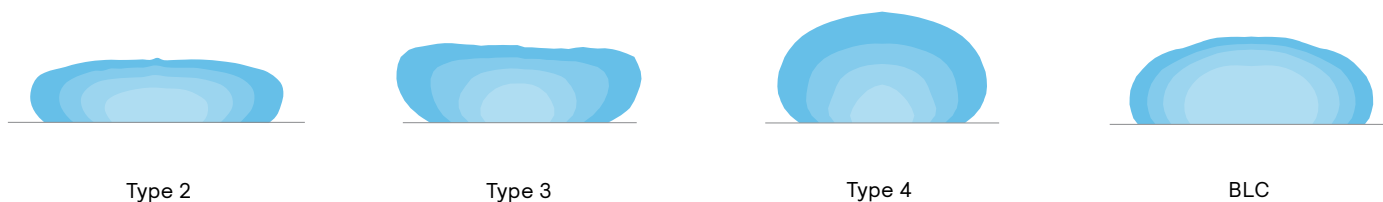
Note: Some data may be scaled based on tests of similar (but not identical) luminaires. Contact factory for configurations not shown.

Predicted lumen depreciation data

Predicted performance derived from LED manufacturer's data and engineering design estimates, based on IESNA LM-80 methodology. Actual experience may vary due to field application conditions. L70 is the predicted time when LED performance depreciates to 70% of initial lumen output. Calculated per IESNA TM21-11. Published L70 hours limited to 6 times actual LED test hours.

Ambient Temperature °C	Calculated L70 Hours	L70 per TM-21	Lumen Maintenance % at 60,000 hrs
up to 40°C	>100,000 hours	>60,000 hours	>95%

Optical distributions



LPW32 LytePro Wall

Large wall mount

Specifications

LytePro LED large wall sconce LPW32 combines excellent performance, design and value to meet the needs of the energy and budget conscious. The LPW32 is available for use in downward facing, surface wall mount applications, over recessed j-boxes or where power can be directly fed through back surface, whereby connections splices can be made inside the luminaire housing. Four SKUs are available as in-stock configurations (2-day quick ship).

Housing

Die-cast housing houses both the LED and driver assemblies. Design incorporates an integrated heat sink to maximize thermal performance and reliability. Backplate is corrosion free, composite polycarbonate, with built-in level bubble, offers integral interlocking hook and mount design for easy installation.

Mounting

Easy interlocking hook and mount housing/backplate design for easy installation. Mounts over 3.5", 4" octagonal j-boxes and single gang switch boxes or can be directly lagged to surface. Ensure proper steps for gasket/sealing luminaire to surface.

IP Rating

IP66 sealed light engines. Housing (including electrical compartment) rated IP54 per ANSI C136.37.

LED Board and Array

Light engine comprises of a module of 16-LED aluminum metal clad board fully sealed with optics offered in 1 board and 2 board configurations in Type 2, 3, 4 and BLC, and up to 170 lm/w.

Electrical

Driver efficiency (>90% standard). 120-277V and 347-480V available. All drivers are dimmable. Temp range: -40°C (-40°F) to 40°C (104°F). Open/short circuit protection. Inherent surge protection up to (6KVA). RoHS compliant.

Surge protection: Integrated surge protection device tested in accordance with ANSI/IEEE C62.45 per ANSI/IEEE C62.41.2 Scenario I Category C High Exposure 10kV/10kA waveforms for Line-Ground, Line-Neutral and Neutral-Ground.

Button Photocontrol (PCB): Button style design for internal luminaires mounting applications. The photocontrol is constructed of a high impact UV stabilized polycarbonate housing. Rated voltage of 120V, 208V, 240V, 277V, 347V or 480V with a load rating of 1000 VA. The photocell will turn on with 1-4Fc of ambient light.

Listings

Product is cETLus listed suitable for Wet Locations. Suitable for use in ambients from -40°C to 40°C (-40°F to 104°F). Luminaire designed with 0% uplight (U0). CCTs 3000K lower are Dark Sky compliant. DesignLights Consortium® qualified. Declare label certified, ID SIG-0015 ([view full Declare label](#)).

Finish

Each luminaire receives a fade and abrasion resistant, electrostatically applied, thermally cured, triglycidal isocyanurate (TGIC) textured polyester powdercoat finish.

Dimming Control Options

Field Adjustable Wattage Selector (FAWS): Luminaire equipped with the ability to manually adjust the wattage in the field to reduce total luminaire lumen output and light levels. Comes pre-set to the highest position at the lumen output selected. Use chart below to estimate reduction in lumen output desired. Cannot be used with other control options or motion response.

FAWS Position	Percent of Typical Lumen Output
1	25%
2	50%
3	55%
4	65%
5	75%
6	80%
7	85%
8	90%
9	95%
10	100%

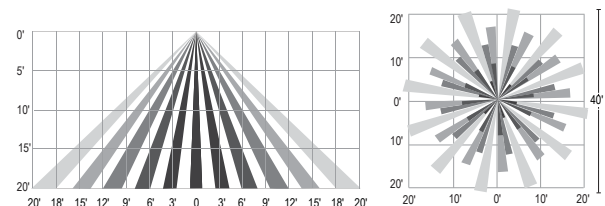
Note: Typical value accuracy +/- 5%

Motion Response Options

Bi-Level Infrared Motion Response (BL50L3): Motion Response module is mounted integral to luminaire factory pre-programmed to 50% dimming when not ordered with other control options. BL is set/operates in the following fashion: The motion sensor is set to a constant 50%. When motion is detected by the PIR sensor, the luminaire returns to full power/light output. Dimming on low is factory set to 50% with 5 minutes default in "full power" prior to dimming back to low. When no motion is detected for 5 minutes, the motion response system reduces the wattage by 50%, to 50% of the normal constant wattage reducing the light level. Other dimming settings can be provided if different dimming levels are required.

Infrared Motion Response Integral module is available with sensor lens #3 (L3) is designed for mounting heights up to 20' with a 40' diameter coverage area. See charts for approximate detection patterns:

BL50L3 Luminaire with #3 lens



ZD4i Zhaga-D4i Certified Fixture (includes Zhaga 4-pin receptacle):

With the ZD4i option (or WIAP), your luminaire comes Zhaga-D4i certified. Provides easy integration with D4i smart sensors and communication nodes, enabling plug-and-play IoT upgrades. Product equipped with D4i driver(s) connected to 4-pin Zhaga Book 18 compliant receptacle. Receptacle has IP66 rated assembly in a compact design that provides a sealed electrical interface and rated UV resistance, mounted on underside of the luminaire, protective dust cap included. When a controller not D4i certified is used, we cannot guarantee full compatibility.

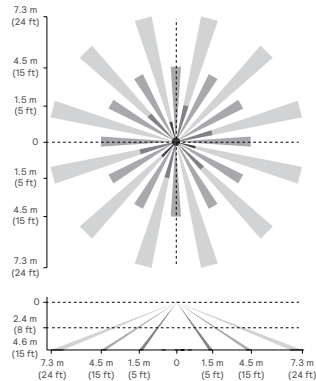
LPW32 LytePro Wall

Large wall mount

Specifications

Outdoor Interact (WIAPLW/LB): Connected sensor with integral occupancy and daylight sensing, supports wireless mesh connectivity. Sensor works in the standalone mode when configured without a gateway. When used with a gateway you are able to access additional functionalities such as energy monitoring, scheduling, and BMS integration. Interact offers an app, a portal and a broad portfolio of Interact-ready Indoor and Outdoor luminaires, lamps and retrofit kits all working on the same system. The app provides flexibility to choose between a standalone or gateway mode. Setup with the gateway requires wired Internet access to the gateway. WIAP includes SR driver and SR receptacle. Daylight harvesting supported through dimming – activated via the Interact App. Sensors IP66 rated. For more information on Interact visit: www.interact-lighting.com/interactproscalablesystem

LW low sensor



Note: The beam patterns shown are intended solely as a general guide and are not to scale. Sensing capabilities and coverage area depend on many factors including the size, speed and direction of travel of persons and vehicles; sensor mounting height; environmental and site conditions; etc.

Emergency Options

Emergency Battery Backup (EBP): Emergency battery packs included integral to the luminaire, allowing for a consistent look between emergency and non-emergency luminaires. A separate surface mount accessory box is not required. EBP is suitable for use in ambient temperature conditions from 0°C (32°F) to 40°C (104°F) available in 2L, 4L, 6L, or 8L configuration only. System is designed to have a secondary driver with relay to immediately detect AC power loss to power luminaire for a minimum of 90 minutes from the time power is lost. Available with 120-277V, or 'UNV' only.

Bypass Relay (BR): Optional internal emergency bypass relay. When normal AC power is lost, relay bypasses BL50L3 or WIAP wireless dimming sensor and forces luminaire to full light output. BL50 controls pairs with L3 sensors. WIAP controls pair with LW/LB sensors. BR is not available for use with 347, 480, or HVU voltages. Power Sensing (Factory default) – Recommended UL924 option requires unswitched power sense line, absence of voltage on the normal circuit triggers luminaire to 100% output. Power Interruption Detection (Field option*) – Detects AC power interruption >30ms triggers 90 minute emergency mode with luminaire at 100% output, consult your local authority for UL924 applicability.

Warranty

5-year limited warranty. Options available for extended warranties – contact factory. See <https://www.genlyte.com/en-us/support/warranties> for details and restrictions.

Buy American Act of 1933 (BAA)

This product is manufactured in one of our US factories and, as of the date of this document, this product was considered a commercially available off-the-shelf (COTS) item meeting the requirements of the BAA.

This BAA designation hereunder does not address (i) the applicability of, or availability of a waiver under, the Trade Agreements Act, or (ii) the “Buy America” domestic content requirements imposed on states, localities, and other non-federal entities as a condition of receiving funds administered by the Department of Transportation or other federal agencies. Prior to ordering, please visit <https://www.genlyte.com/en-us/resources/programs/domestic-preference> to view a current list of BAA-compliant products to confirm this product’s current compliance.

Build America, Buy America Act (BABA)

BABA establishes the minimum domestic content requirements that federal agencies must apply. This product is manufactured in the US and has a domestic content of 55% or more. This BABA designation does not address the “Buy America” domestic content requirements, which may be stricter, imposed on states, localities, and other non-federal entities as a condition of receiving funds administered by federal agencies. Please visit <https://www.genlyte.com/en-us/resources/programs/domestic-preference>.

Prior to ordering, please contact factory to confirm BABA or BABAF compliant configurations (BABAF for projects funded through FHWA must be funded by October 1, 2026), and please submit completed BABA checklist [SGn-2452BN-Compliance-Certification-checklist.pdf](#).