

Series Spec Sheet

FLM GEN. 2 CHOICE

LED FLOOD LIGHT CCT AND POWER SELECTABLE INTEGRATED PHOTOCELL¹

The FLM GEN. 2 series is a family of highly efficient and affordable compact flood lights featuring the latest in LED technology by allowing the user to control the color temperature and power via field adjustable integrated switches. This series is coming with one pre-installed mounting, knuckle or slipfitter, and comes with a yoke mount as well. To better suit the 25 W and 60 W flood light applications an extra wall mount plate is included as well. Typical applications include both commercial and residential environment: backyards, walkways as well as flood lighting of signs and building fronts.

FEATURES AND SPECIFICATIONS

• **Construction**

Physical Characteristics

- Die-cast aluminum housing available in a black finish.
- CCT and power select switches are located at the back of the housing.
- ON/OFF integrated photocell that can be easily disabled available on the 60 W, 100 W and 150 W models.

Mounting

- A 1/2" NPT knuckle mount is installed on the 25 W and 60 W models and includes a yoke mount bracket and a wall mount plate.
- A slipfitter mount (inner ø 2.44") is installed on the 100 W and 150 W models and includes a yoke mount bracket.

Lens/Optic

- Each model comes with a tempered glass lens available in a nema distribution 7Hx6V

• **Performance data**

- Available in 3 000/4 000/5 000 K selectable color temperature
- 80+ CRI
- Electrical ratings: 120-347 V
- Estimated life of over 50 000 hours to L70
- 0-10 V dimming standard
- 2.5 kV surge protection for 25 W and 60 W models and 6 kV surge protection for 100 W and 150 W models.
- Operating temperature: -40 °C to 50 °C (-40 °F to 122 °F)

• **Compliances**

- cULus listed for wet locations
- Meets requirements of ICES-005 issue 5 class B for use in residential applications
- BC Hydro
- IP65
- IK07
- DLC Premium

OVERVIEW

Light source	LED
Watts (W)	15/25 35/60 60/80/100 100/120/150
Lumen output (lm)	1 964 - 23 258
Efficacy (lm/W)	116 - 170
Color temperature (K)	3 000/4 000/5 000
CRI	80+

¹ Integrated photocell on certain configurations. Consult Quick ship and technical specification table for more details.



25 W

60 W



100 W

150 W

INCLUDED IN THE BOX



Wall mount plate²



Yoke mount

² Included with 25 W and 60 W models only



3 000/4 000/5 000 K



power selectable



warranty



quick ship



LED fixture



dimmable fixture



wet location



ICES 005



IK07



QUICK SHIP AND TECHNICAL SPECIFICATION TABLE

Order code	Model number	Watts (W)	Volts (V AC)	Color temp. (K) ¹	Lumen output (lm) ^{2,3}	Efficiency (lm/W)	CRI	Life L70 (hrs) ⁴	Tested hours LM-80 (hrs) ⁴	Calculated TM21 (hrs) ⁴	NEMA type	B.U.G.	EPA (ft ²)	LED Current	Finish	Photocell (Yes/No)	Power factor	THD (%)	Master case qty
CCT and Power Selectable with Integrated Photocell⁵																			
69925	FLM-PS25B-Q-3C-BK/CHOICE	15/25	120-347	3 000/4 000/5 000	3 396	136	80+	50 000	9 000	140 000	7Hx6V	B1 U0 G1	0.18	0.25	Black	NO	≥0.87	≤25	10
69926	FLM-PS60B-Q-3C-BK/CHOICE	35/60	120-347	3 000/4 000/5 000	8 453	141	80+	50 000	9 000	140 000	7Hx6V	B3 U0 G1	0.42	0.6	Black	YES	≥0.87	≤25	10
69927	FLM-PS100B-Q-3C-BK/CHOICE	60/80/100	120-347	3 000/4 000/5 000	15 806	158	80+	50 000	9 000	140 000	7Hx6V	B3 U0 G1	0.6	1	Black	YES	≥0.87	≤25	5
69928	FLM-PS150B-Q-3C-BK/CHOICE	100/120/150	120-347	3 000/4 000/5 000	23 258	155	80+	50 000	9 000	140 000	7Hx6V	B3 U0 G1	0.6	1.5	Black	YES	≥0.87	≤25	5

¹ Typical color temperature range: +/- 5 %.

² Lumen values are derived from photometric testing. Initial lumens range: +/- 10 %.

³ Lumen values are based on 4 000 K default programming. Please refer to the LUMEN SPECIFICATION TABLE for more details on other color temperatures.

⁴ Life hours are derived from IESNA LM-80 testing report and projected per IESNA TM-21 extrapolations.

⁵ Integrated ON/OFF photocell that can be easily disabled on selected models.

DLC UNIQUE ID TABLE

Order code	Model number	DLC Premium Unique ID ¹
69925	FLM-PS25B-Q-3C-BK/CHOICE	S-2B5GBF
69926	FLM-PS60B-Q-3C-BK/CHOICE	S-0XLZDK
69927	FLM-PS100B-Q-3C-BK/CHOICE	S-LDP59Y
69928	FLM-PS150B-Q-3C-BK/CHOICE	S-HTYX2H

¹ Primary Use Designation: Architectural Flood and Spot Luminaires.

LUMEN SPECIFICATION TABLE

Order code	Model number	Watts (W)	3 000 K			4 000 K			5 000 K		
			Lumen output (lm)	Efficacy (lm/W)	LED Current (mA)	Lumen output (lm)	Efficacy (lm/W)	LED Current (mA)	Lumen output (lm)	Efficacy (lm/W)	LED Current (mA)
69925	FLM-PS25B-Q-3C-BK/CHOICE	15	1 964	131	55	2 126	142	55	2 114	141	55
		25	2 910	116	92	3 396	136	92	3 274	131	92
69926	FLM-PS60B-Q-3C-BK/CHOICE	35	5 163	148	38	5 534	158	38	5 595	160	38
		60	7 657	128	65	8 453	141	65	8 447	141	65
69927	FLM-PS100B-Q-3C-BK/CHOICE	60	9 738	162	35	10 188	170	35	10 185	170	35
		80	12 515	156	46	13 435	168	46	13 214	165	46
		100	14 774	148	58	15 806	158	58	15 162	152	58
69928	FLM-PS150B-Q-3C-BK/CHOICE	100	15 659	157	22	16 766	168	22	16 313	163	22
		120	17 681	147	27	19 183	160	27	18 630	155	27
		150	21 047	140	34	23 258	155	34	21 884	146	34

DEFAULT PROGRAMMING

69925: 25 W / 4 000 K

69926: 60 W / 4 000 K

69927: 100 W / 4 000 K

69928: 150 W / 4 000 K

COMPATIBLE DIMMERS¹

Brand	Model
Leviton	DS710, DD710, AWSMT-7DW
Legrand	RH4FBL3PW, WS4FBL3P
Lutron	NFTV, NTSTV, DVTV

Dimming range: 0%-100%

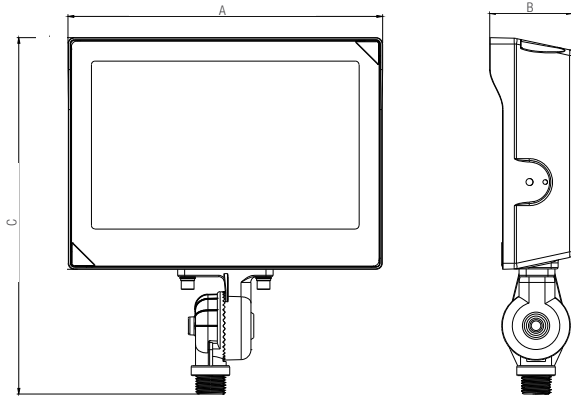
¹ The above table shows dimmers that have been tested and have demonstrated proper operation under normal conditions. Each installation being unique, various factors such as load, common neutrals or other electrical products on the circuit can, in certain instances, cause variance in system performance. Read and comply to the dimmer installation instructions. Consult dimming system manufacturer for additional support in operation. Stanpro recommends to use dimmers designed to work with LED products. Older dimmers designed for incandescent products may cause erratic operation. Some dimmers may require more than one product for stable operation. The maximum number of products is determined by the dimmer wattage rating with LEDs. Be careful, these dimmers have different ratings depending on the product type. Again, refer to the dimmer installation instructions.

EPA

Mounting type	Fixture tilt	Power					
			Single	2 @ 180°	2 @ 90°	3 @ 90°	4 @ 90°
Slipfitter	45°	100 W	0.68 ft ²	1.32 ft ²	1.32 ft ²	2.04 ft ²	2.72 ft ²
		150 W	0.94 ft ²	1.88 ft ²	1.88 ft ²	2.82 ft ²	3.76 ft ²
	60°	100 W	0.54 ft ²	1.08 ft ²	1.08 ft ²	1.62 ft ²	2.16 ft ²
		150 W	0.70 ft ²	1.40 ft ²	1.40 ft ²	2.10 ft ²	2.80 ft ²

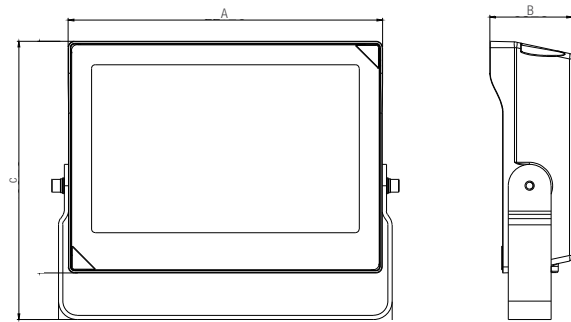
DIMENSIONS AND WEIGHTS

Knuckle Mount



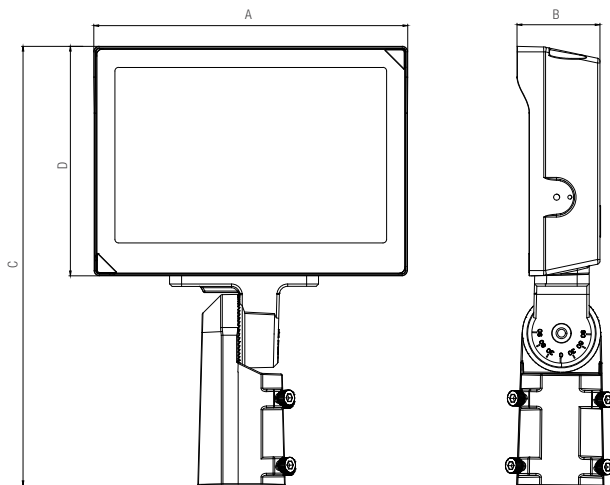
	25 W	60 W
A in. (cm)	5.82 (14.8)	8.7 (22.1)
B in. (cm)	2 (5.1)	2.28 (5.8)
C in. (cm)	7.67 (19.5)	9.84 (25)
Net weight (lbs)	2.42	3.43

Yoke Mount



	25 W	60 W	100 W	150 W
A in. (cm)	6.18 (15.7)	9.21 (23.4)	10.35 (26.75)	11.5 (29.15)
B in. (cm)	2 (5.1)	2.28 (5.8)	2.8 (7.1)	2.88 (7.33)
C in. (cm)	5.27 (13.4)	7.67 (19.5)	7.5 (19.15)	8.38 (21.15)
Net weight (lbs)	2.11	3.77	6.83	8.82

Slipfitter



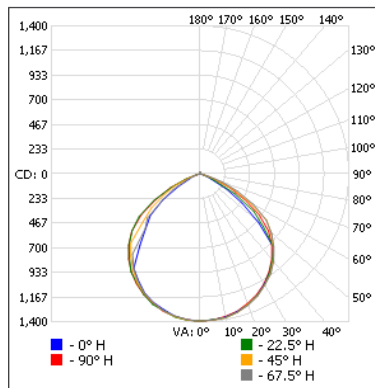
	100 W	150 W
A in. (cm)	10.3 (26.7)	10.3 (26.7)
B in. (cm)	2.8 (7.1)	2.8 (7.1)
C in. (cm)	14.6 (37.1)	14.6 (37.1)
D in. (cm)	7.72 (19.6)	7.72 (19.6)
Net weight (lbs)	8.82	10.58

Data is based upon tests performed in a controlled environment. Actual performance can vary depending on operating conditions. All products are subject to change or may be discontinued any time without notice. Please contact your Stanpro customer service representative to confirm inventory levels at time of order.

PHOTOMETRIC DATA¹

69925 • FLM-PS25B-Q-3C-BK/XX • 25 W • 4 000 K • 3 396 lm

Polar candela distribution



Zonal lumen summary

Zone	Lumens	% Luminaire
0-30	1 091.9	32.2
0-40	1 794.2	52.8
0-60	3 041.8	89.6
60-90	323.1	9.5
70-100	66.3	2
90-120	7.8	0.2
0-90	3 364.9	99.1
90-180	31.0	0.9
0-180	3 395.9	100

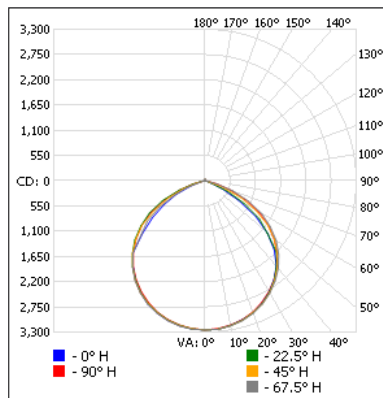
Illuminance at a distance

Center beam fc		Beam width	
17.0'	4.82	38.3'	47.6'
34.0'	1.21	76.5'	95.1'
51.0'	0.54	114.8'	142.7'
68.0'	0.30	153.1'	190.3'
85.0'	0.19	191.3'	237.8'
102.0'	0.13	229.6'	285.4'

■ Vert. spread : 96.8°
■ Horiz. spread : 108.9°

69926 • FLM-PS60B-Q-3C-BK-XX • 60 W • 4 000 K • 8 453 lm

Polar candela distribution



Zonal lumen summary

Zone	Lumens	% Luminaire
0-30	2 553.4	30.2
0-40	4 205.8	49.8
0-60	7 321.8	86.6
60-90	1 059.9	12.5
70-100	246.6	2.9
90-120	18.1	0.2
0-90	8 381.7	99.2
90-180	71.4	0.8
0-180	8 453.1	100

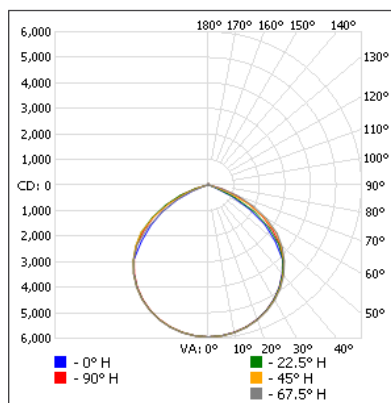
Illuminance at a distance

Center beam fc		Beam width	
17.0'	11.2	43.4'	50.2'
34.0'	2.81	86.9'	100.3'
51.0'	1.25	130.3'	150.5'
68.0'	0.70	173.8'	200.7'
85.0'	0.45	217.2'	250.9'
102.0'	0.31	260.7'	301.0'

■ Vert. spread : 103.9°
■ Horiz. spread : 111.8°

69927 • FLM-PS100B-Q-3C-BK-XX • 100 W • 4 000 K • 15 806 lm

Polar candela distribution



Zonal lumen summary

Zone	Lumens	% Luminaire
0-30	4 679.4	29.6
0-40	7 730.2	48.9
0-60	13 624.5	86.2
60-90	2 051.2	13
70-100	483.4	3.1
90-120	33.2	0.2
0-90	15 675.7	99.2
90-180	129.9	0.8
0-180	15 805.6	100

Illuminance at a distance

Center beam fc		Beam width	
17.0'	20.6	45.6'	50.2'
34.0'	5.14	91.2'	100.5'
51.0'	2.28	136.8'	150.7'
68.0'	1.28	182.4'	200.9'
85.0'	0.82	228.0'	251.1'
102.0'	0.57	273.6'	301.4'

■ Vert. spread : 106.6°
■ Horiz. spread : 111.8°

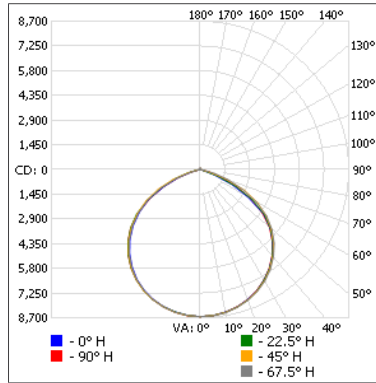
¹ Complete IES files available on our website.

Data is based upon tests performed in a controlled environment. Actual performance can vary depending on operating conditions. All products are subject to change or may be discontinued any time without notice. Please contact your Stanpro customer service representative to confirm inventory levels at time of order.

PHOTOMETRIC DATA¹

69928 • FLM-PS150B-Q-3C-BK-XX • 150 W • 4 000 K • 23 258 lm

Polar candela distribution



Zonal lumen summary

Zone	Lumens	% Luminaire
0-30	6 780.7	29.2
0-40	11 190.5	48.1
0-60	19 807.7	85.2
60-90	3 257.5	14
70-100	790.4	3.4
90-120	50.9	0.2
0-90	23 065.1	99.2
90-180	192.8	0.8
0-180	23 257.9	100

Illuminance at a distance

Center beam fc		Beam width	
17.0'	29.8	49.5'	49.8'
34.0'	7.46	98.9'	99.6'
51.0'	3.32	148.4'	149.4'
68.0'	1.87	197.9'	199.2'
85.0'	1.19	247.3'	249.0'
102.0'	0.83	296.8'	298.8'

■ Vert. spread : 111.0°
■ Horiz. spread : 111.4°

¹ Complete IES files available on our website.

Data is based upon tests performed in a controlled environment. Actual performance can vary depending on operating conditions. All products are subject to change or may be discontinued any time without notice. Please contact your Stanpro customer service representative to confirm inventory levels at time of order.